

Air Body Tool

氣動板金工具



OP-S1530
Air shear
氣動剪



OP-S1530S
Air shear
氣動剪



OP-S3125
Air shear
氣動剪



OP-S3125S
Air shear
氣動剪

SPECIFICATION (air pressure at 90psi、6.2bar、6.3kg/cm²)

MODEL 型號	Cutting Capacity Thickness 剪切厚度能力		Free Speed 無負荷轉速 rpm	Air Consumption 耗氣量		Overall Length 全長		Air Inlet 入氣接頭 P.T	Net Weight 重量		Sound Level 噪音值 dB(A)
	Aluminum(mm)	Iron(mm)		l/min	cfm	mm	inch		kg	lb	
OP-S1530	1.6	1.2	2200	325	11.5	240	9.45	1/4	1.1	2.42	85
OP-S1530S	1.6	1.2	2200	325	11.5	265	10.43	1/4	1.25	2.75	85
OP-S3125	1.6	1.2	2500	339	12	230	9.06	1/4	1.1	2.42	85
OP-S3125S	1.6	1.2	2500	339	12	280	11.22	1/4	1.2	2.64	85



OP-201
Air nipper tools
氣動剪線工具



OP-202
Air nipper tools
氣動剪線工具



OP-203
Air nipper tools
氣動剪線工具



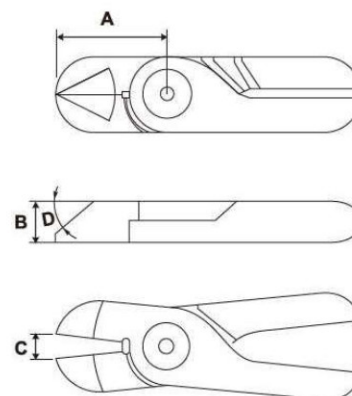
OP-204
Air nipper tools
氣動剪線工具



OP-205
Air nipper tools
氣動剪線工具



OP-206
Air nipper tools
氣動剪線工具



	A	B	C	D
S2	24.5	6.9	3.4	25°
S4	28	9.6	5.5	25°
S5	35.6	11.8	7.5	30°
S8P	44	17	8.5	30°

SPECIFICATION (air pressure at 90psi、6.2bar、6.3kg/cm²)

MODEL 型號	Cutting Capacity Diameter 剪切直徑能力		Housing Diameter 握把直徑 ømm	Air Consumption 耗氣量		Overall Length 全長		Air Inlet 入氣接頭 P.T	Net Weight 重量		Blade 刀刃
	Copper(mm)	Iron(mm)		l/min	cfm	mm	inch		kg	lb	
OP-201	1.0	0.5	30	28	1	140	5.51	1/4	0.18	0.4	S2
OP-202	1.6	1.0	35.5	28	1	160	6.3	1/4	0.26	0.57	S4
OP-203	2.6	2.0	46	112	4	200	7.87	1/4	0.49	1.08	S5
OP-204	3.0	2.4	46	224	8	270	10.63	1/4	0.66	1.45	S5
OP-205	3.3	2.8	56	224	8	245	9.65	1/4	0.92	2.02	S8P
OP-206	4.8	4.0	56	367	12.9	335	13.19	1/4	1.26	2.77	S8P

Needle Scaler

除銹器



OP-120



OP-16



OP-100-2B



OP-J288

SPECIFICATION (air pressure at 90psi · 6.2bar · 6.3kg/cm²)

MODEL 型號	Blows Per Min 衝擊數	Needle Diameter 鋼針直徑	Number of Needles 鋼針數	Piston Diameter 活塞直徑	Piston Stroke 活塞行程		Air Consumption 耗氣量		Overall Length 全長		Air Inlet 入氣接頭	Net Weight 重量	
	(B.P.M.)	mm	pcs	mm	mm	inch	l/min	cfm	mm	inch	PT	kg	lb
OP-120	2500	∅4x180	35	∅33x94	52	2	210	7.4	460	18.11	1/4	6	13.2
OP-16	4000	∅2x150	29	∅16x59	36	1.4	71	2.5	285	11.22	3/8	1.6	3.5
OP-100-2B	3700	∅3x180	19	∅23.5x70	38	1.5	85	3	375	14.76	1/4	2.8	6.2
OP-J288	5500	∅3x125	12	∅18x47	28	1.1	283	10	290	11.41	1/4	1.19	2.62

OP-CM-50

Air caulking gun
氣動膠槍

- Plastic gun size : 215~240mm
- Air pressure : 3kg/cm² (45 psi)
- Length : 280 mm
- Weight : 0.53 kg

- 使用膠管尺寸 : 215~240mm
- 最高空氣壓力 : 3kg/cm² (45 psi)
- 長度 : 280mm
- 重量 : 0.53kg



OP-CM-50



OP-S105
Air body saw
氣動鋸

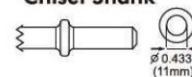


OP-CP1223
Air engraving pen
氣動雕刻筆



OP-288N
Air flux chipper
氣動雕刻刀

Chisel Shank



SPECIFICATION (air pressure at 90psi · 6.2bar · 6.3kg/cm²)

MODEL 型號	Cutting Capacity Thickness 剪切厚度能力	Blows Per Minute 衝擊數	Air Consumption 耗氣量		Overall Length 全長		Air Inlet 入氣接頭	Net Weight 重量	
	Aluminum(mm)		B.P.M	l/min	cfm	mm	inch	P.T	kg
OP-S105	3.0	9000	127	4.5	235	9.25	1/4	0.6	1.32
OP-CP1223		2300	28	1	170	6.69	1/4	0.23	0.5
OP-288N		4800	283	10	235	9.25	1/4	1.21	2.67

Gear Transmitted Air Saw

氣動鋸



OP-S149
Rear exhaust
後排氣

Air Mini Circular Saw

氣動圓鋸機



OP-SC105

Air Jigsaw

氣動線鋸機



OP-SJ12T
Cutting / Wood: 40mm
Cutting / Alu: 2.0mm
Cutting / Steel: 1.6mm

SPECIFICATION (air pressure at 90psi、6.2bar、6.3kg/cm²)

MODEL 型號	Free Speed 無負荷轉速		Cutting Capacity Thickness(mm) 剪切厚度能力	Air Consumption 耗氣量		Hose Size 風管尺寸		Air Inlet 入氣接頭	Overall Length 全長		Net Weight 重量	
	rpm			l/min	cfm	mm	inch		mm	inch	kg	lb
OP-S149	7500		3.0	113	4	9.5	3/8	1/4	267	10.51	0.94	2.07

MODEL 型號	Pad Size 尺寸		Free Speed 無負荷轉速	Air Consumption 耗氣量		Over Length 全長		Air Inlet 入氣接頭	Net Weight 重量		Sound Level 噪音
	mm	inch		rpm	l/min	cfm	mm		inch	P.T	
OP-SC105	101	4	8000	226	8	230	9.06	1/4	1.2	2.65	70
OP-SJ12T	12T	-	4500	226	8	260	10.23	1/4	0.95	2.1	87

AIR BODY SAW



Dual chuck

Accepts standard 24T,32T air saw blades, 6"-14T saber saw blade and 5MM shank files.(Ships without files)



※5 PCS FILES (Extra Optional)

SPECIFICATION (air pressure at 90psi, 6.2 bar, 6.3 kg/cm²)

MODEL	Cutting Capacity mm			Stroke Per Minute BPM	Stroke Length mm	Air Consumption		Overall Length		Air Inlet P.T	Net Weight		Sound Level dB
	Alum.	Steel	FRP			l/min	cfm	mm	inch		kg	lb	
OP-S109	3.7	3	6	9,000	10	127	4.5	280	11	1/4	0.8	1.76	83

AIR FILE & SAW



SPECIFICATION (air pressure at 90psi, 6.2 bar, 6.3 kg/cm²)

MODEL	Stroke Per Minute BPM	Stroke Length mm	File Diameter mm	Air Consumption		Overall Length		Air Inlet P.T	Net Weight		Sound Level dB
				l/min	cfm	mm	inch		kg	lb	
OP-S108	4,700	10	5	180	6.36	730	28.7	1/4	0.78	1.72	87

HONG BING PNEUMATIC INDUSTRY CO., LTD.

No.22, Kou Shin Rd., Shenkang Dist., Taichung City 42952, Taiwan

TEL: 886-4-25621763 FAX: 886-4-25627704

http://www.onpin.com.tw E-mail: onpin@onpin.com.tw

