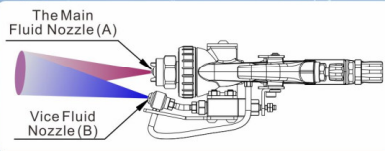
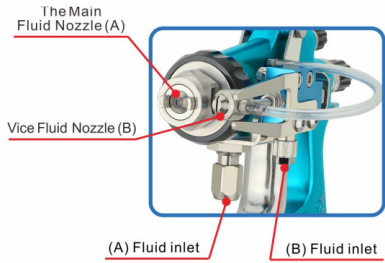




The product has obtained the national invention patent

A Kind Mixed Spray Gun
Application NO: ZL 2023 1 1543541.4



R-210N-1HT
Single mixing type
Pressure



R-210N-1H
Single mixing type
Pressure

R-210-2H
Double mixing type
Pressure

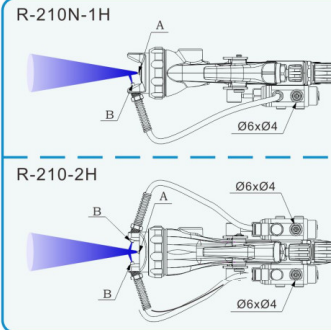
R-210-1H
R-210-2H
Suction
With RC-1 Cup
(RC-DC-600 S1 Cup)

Functions and Characteristics

- ◆ No air supply required, saves paint: A paint does not need air supply for atomization, only need a certain pressure of the paint to atomize a uniform, fine surface without paint flying away. Reduce the transition of spraying that can save 35%-40% paint and 45% of the air used.
- ◆ Adjustable spray pattern, high efficiency of spraying: V-shaped innovative special design for nozzle, which can adjust length of spray pattern by regulating the paint pressure. Spray pattern range is 6cm-60cm, wide spray surface make the efficiency increasing of 35%.
- ◆ Uniform mixing, precise control: New design for B material to make fan spraying with ultra-low air pressure of 0.5-0.8kg/cm², as well as control the flow rate and the size of the atomization, so that B material and A material mix uniformly, evenly and comprehensively.
- ◆ Humanized design, rigorous and meticulous: A material and B material paint inlet use asymmetric specification fittings to avoid connecting wrong paint. Adjusting knob with non-slip design for comfortable adjustment. Laser engraved numbers and scale marking on the knob to make precise adjustment.
- ◆ High quality material, wide application: The paint passage is made of high quality stainless steel, corrosion and wear resistant. It can be used for bonding airplane and car seats, furniture mattresses, woodworking products, insulation cotton materials, etc.

Model	Type of feed	The main fluid nozzle model (A)	The main nozzle (A) fluid pressure	Vice fluid nozzle orifice (B)	Vice nozzle (B) fluid pressure	Vice nozzle (B) atomization air Pressure	Spray width ±20	Weight
R-210-1HT	Pressure	415	4-6(0.39-0.59)	1.1(0.043)	0.2-0.8(0.02-0.08)	0.3-1.5(0.03-0.15)	100(3.94)	563(1.24)

◆ R210-1HT Spray distance:200-250mm.Paint viscosity:20±1 seconds/RV-2. The main fluid (A) intake: ø5xø8. Vice fluid (B) intake: ø4xø6. Air intake: ø5xø8.



Functions and Characteristics

- ◆ Paint mixing mode is external mixing.It can reduce the problem of solution solidification in the gun, pipe, container and tank.
- ◆ A Nozzle as the main nozzle for the main glue,B Nozzle as sub nozzle, used for curing agent.
- ◆ The coating channel adopts corrosion resistant design.The nozzle, needle and fluid coupler are made of stainless steel.
- ◆ According to the working environment, the main paint (A) feeding mode can be gravity type, suction type or pressure type.Secondary coating (B) feeding mode is pressure feeding.
- ◆ It is suitable for the fast bonding of water-based foam and sponge processing industry, such as the bonding of airplane and automobile seats, sofa cushions, mattress furniture, woodworking furniture, heat-insulating cotton materials, etc.

Model	Type of feed	The main fluid nozzle size(A)	Vice fluid nozzle size(B)	Air pressure	Air consumption	Spray width ±10	Weight
R-210-1H-P	Pressure	0.8(0.031)	0.4(0.016)	2.5(0.24)	333(23)	150-220 (5.9-8.66)	R-210-1H:600(1.32) R-210-2H:645(1.42)
R-210-1H-S		1.0(0.039)					
R-210-2H-P		1.2(0.049)	0.6(0.024)				
R-210-2H-S		1.5(0.059)	0.8(0.031)				
		1.8(0.071)	0.8(0.031)			Round	
		2.0(0.078)	1.0(0.039)			60-100 (2.36-3.94)	

◆ R210-1H/R210-2H Spray distance:200-250mm.Paint viscosity:20±1 seconds/RV-2. Coating Pressure:0.8kg/cm². The main fluid intake:3/8PF/NPF.Vice fluid intake:ø6xø4.Air intake:1/4PF/NPF.