

## Cordless riveter R2B1



**Ultra-high-speed riveting, equivalent to fastest air riveter\*1**  
**Excellent usability. Lightweight body causes less arm fatigue.**

- Riveting cycle time  
Lobtex conventional model R1B1: 1.7 sec. ⇒ R2B1: 0.8 sec.  
(High speed equivalent to that of Lobtex's fastest air riveter R1A1)
  - Comparison in weight of cordless riveter (including battery)  
Lobtex conventional model R1B1: 1.9 kg ⇒ R2B1: 1.7 kg  
(200 g weight reduction!)
- \* Lobtex air riveter R1A1

## Use/Application

### [Functions]

#### Reasons for recommending a cordless riveter R2B1

##### ■ Ultra-high-speed riveting, equivalent to fastest air riveter.\*1



##### ■ Riveting cycle time



##### ■ Excellent usability. Lightweight body causes less arm fatigue.



##### ■ Comparison in weight of cordless riveter (including battery)



##### ■ Rivet-holding nose piece is provided as a standard accessory.

The user does not need to hold the rivet by hand once in place. The nose piece facilitates downward riveting work.



##### ■ Newly-developed brushless motor.

Markedly enhanced durability and power

##### ■ No tools are required for daily maintenance.

No tools (wrench, etc.) are required for jaw replacement.

##### ■ Patent pending New mandrel collector.

Clogging of the mandrel due to reverse flow is greatly reduced.

##### ■ Riveting quantity on a single charge is markedly increased. (Approx. twice in comparison with conventional model)

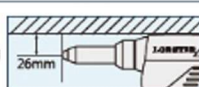


##### ■ Long stroke.

Even long rivets can be cut with one action.



##### ■ Minimum corner work distance : 26 mm



##### ■ LED pinpoints the riveting position.

### Easy configuration of foolproof system

Counter indication and foolproof system can be easily configured by simply connecting a wireless transmitter (external equipment) to the external connector (standard accessory) of the R2B1.

For details, please contact Lobtex.



Optional parts: Transmitter mounting bracket, connection cable, dedicated frame head lock nut

\*1 Lobtex air riveter R1A1 (As of May 2020, our research) \*Riveting Ø4.8 steel rivet, BPL1820 is used. The number of rivets varies depending on work conditions.

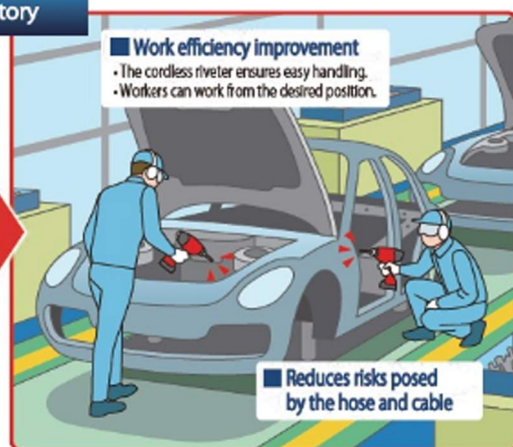
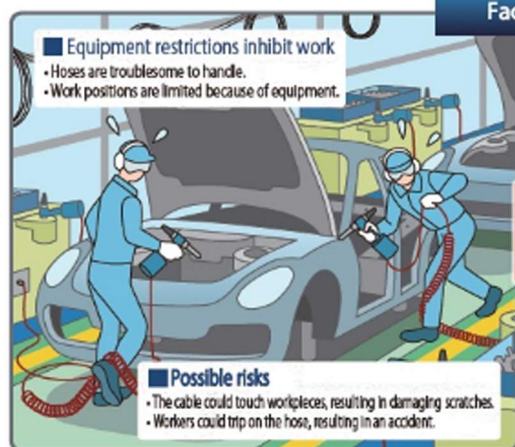
# Work site activating manpower

- Workers can intuitively work, instead of adapting themselves to equipment -

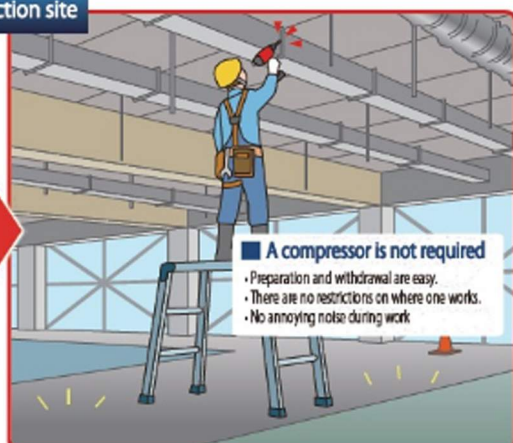
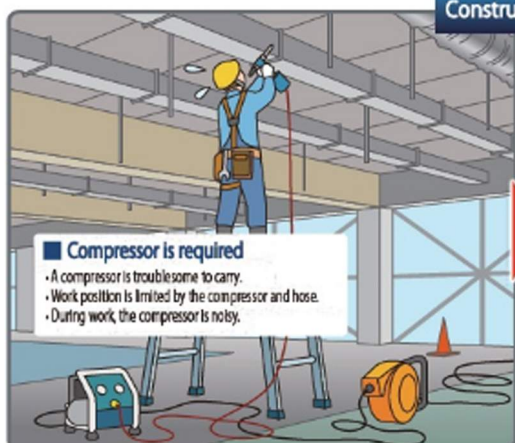
Work site dependent on equipment using air riveter

Work site focused on manpower using the R2B1

Factory



Construction site



• The cordless riveter eliminates equipment restrictions posed by a compressor, hose and power cable, that inhibit a worker's actions.

• Workers can work intuitively and stress-free, because the cordless riveter is easy to handle. The cordless riveter can be freely used outdoors, as well as indoors.

• The manpower required for riveting work is optimized because equipment restrictions are eliminated, which improves work efficiency and reduces risks.

Advantages of using a cordless riveter

Work efficiency improvement

Assembly line flexibility can be enhanced, resulting in improved work efficiency.

Usability improvement

The cordless riveter does not use a hose or cable, which improves equipment usability.

Safety

The work site can be kept in a well-ordered state, which ensures safety.

## ● Specifications

Model No.	R2B1
Riveting cycle time	0.8 sec.
Product weight (kg) *	1.7
Stroke (mm)	25
Overall length × Overall width × Overall height (mm) *	307×76×261
Frame head diameter (mm)	21
Minimum corner work distance (mm)	26
Motor specification	18V brushless
Maximum output (kN)	10.5
User range	2.4, 3.2, 4.0, 4.8 Full material
Jaw	Ultra-hard tool material, medium

※ BPL1820

● Package Item



Model No.	R2B1
Package Item	riveter,battery pack(2.0Ah),charger, Active grip nose piece unit (2.4, 3.2, 4.0, 4.8), jaw pusher unit (2.4, 3.2, 4.0, 4.8),hanger, lubricating oil, dedicated blow case
Product weight (kg)	4.0
Case size (mm)	450×370×120
JAN Code	4963202098700
Retail/User prices	open price

● Battery pack specifications

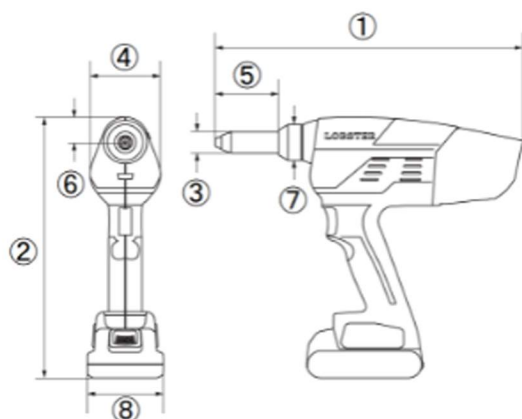
Model No.	BPL1820 	BPL1840 
Type	LI-Ion	LI-Ion
Rated voltage (V)	18	18
Capacity (Ah)	2.0	4.0
Charging time (Charge for practical use / Full charging)	45 / 50 (Minute)	95 / 100 (Minute)
JAN Code	4963202097956	4963202097994
Retail/User prices	open price	open price

● Charger specification<sup>c</sup>

Model No.	BC037T
Power	AC100V
JAN Code	4963202095792
Retail/User prices	open price



## Specifications



Model No.	(Product) weight	size1	size2	size3	size4	size5	size6	size7	size8
R2B1	1.7kg	307mm	261mm	21mm	72mm	63mm	26mm	36mm	76mm
BC037T	395g								
BPL1820	400g								
BPL1840	700g								

Model No.	Use range	Operating air pressure	Usage jaws	Traction power	Q'ty/ carton	Retail/User prices	Remark
R2B1	φ2.4 · 3.2 · 4.0 · 4.8mm	-	CJM	10.5 kN	1	¥139,700	-
BC037T					1	¥22,940	[Charger] AC100V
BPL1820					1	¥18,370	[Battery Pack] Li-ion batteries · DC18V, 2.0Ah, practical charging 45mins, full charging 50mins
BPL1840					1	¥28,890	[Battery Pack] Li-ion batteries · DC18V, 4.0Ah, practical charging 95mins, full charging 100mins

## **!** IMPORTANT SAFETY INSTRUCTIONS

- Be sure to read the instruction Manual and important Usage Advisory carefully and make sure that you understand them thoroughly before using this tool.