

Torque Tester Hydraulic Torque Tester

扭力測試台(油壓式)



OP-HT9001



OP-HT9101



OP-HT9201



OP-HT9301



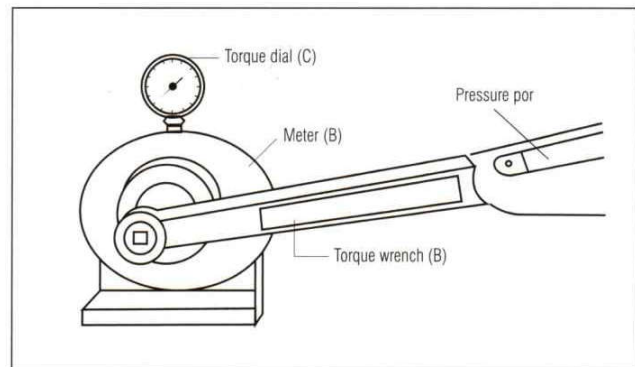
OP-HT9401

扭力表操作說明

- 本扭力測試器適用於校正各種新舊衝擊式板手或類似衝擊式鎖緊工具的輸出扭力。扭力表上的指示值並非絕對的扭力值，而是測試工具的比较值。
- 為了在固定時間內得到正確的扭力測試值，請先把標準的扭力板手(B)設定到預計的扭力。然後把扭力板手的方形頭放入扭力表(A)的套管，逐漸增加壓力及轉動扭力表的螺帽以便使扭力表指針(C)移動。當扭力板手到達預計的扭力，扭力表上的數據即為您所需要的扭力。

OPERATING INSTRUCTIONS FOR TORQUE METER

- The simply designed hydraulic torque testers are suitable to be applied to impact wrenches and similar impact action fastening tools in monitoring torque output of new and repaired tools in comparison with a master tool. The readout in the dial indicator does not show absolute torque value, but just comparative degree of power of the tool on test.
- For getting exact torque test value in a fixed time, please set the standard torque wrench (B) to desired torque. Then put the square drive head of torque wrench into the sleeve of torque meter (A). Increase pressure gradually and turn the bolt of torque meter to push the hand of torque dial (C) moving. When the torque wrench turns to desired torque, the value indicated on the torque dial is the exact one you want.



SPECIFICATION (air pressure at 90psi、6.2bar、6.3kg/cm²)

MODEL 型號	Socket Size 套筒規格	Application 檢測範圍	Liquid Filler Pressure Gauge 油壓表規格	Net Weight 重量	
	mm	ft/lb	kg/cm ²	kg	lb
OP-HT9001	6.35	0~50	150	4.64	10.23
OP-HT9101	21	30~200	70&300	10.03	22.11
OP-HT9201	32	200~850	200&400	23.88	52.65
OP-HT9301	50	500~2000	200&400	47.23	104.12
OP-HT9401	80	700~3600	70&200	280	617.29