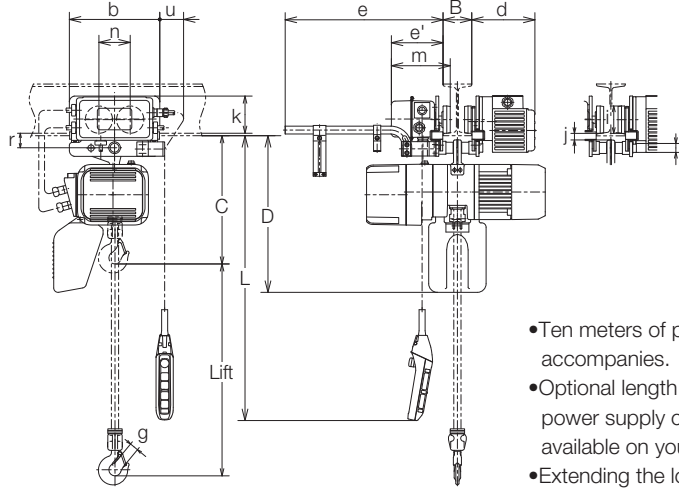


# ER2M Dual Lifting inverter - Single Traversing Speed

With Motorized Trolley



- Ten meters of power supply cable as standard accompanies.
- Optional length of lift, push button cord and power supply cable besides standard is available on your request.
- Extending the load chain is prohibited with additional links.
- Steel chain containers are available as option as shown in Section of "Chain Containers" if your lift is more than capacity of the standard container volume.

## Specifications

Capacity (t)	Product Code	ER2										MR2				Test Load (t)	Net Weight (kg)	Additional Weight per 1m Lift (kg)			
		Hoist Body	Standard Lift (m)	Push Button Cord L (m)	Lifting Motor		Lifting Speed (m/min)*		Load Chain		Classification ISO/FEM /ASME	Traversing Motor		Traversing Speed (m/min)					Flange Width B (mm)		Min. Radius Curve (mm)
					Output (kW)	Rating (%ED)	High	Low	Diameter (mm)	Chain Falls		Output (kW)	Rating (%ED)	50Hz	60Hz				Standard	Option W30 (305mm)	
125kg	ER2M001IH-S/L	B			0.56	Preset	16.6	2.8	4.3 x 1									156kg	58	0.42	
250kg	ER2M003IS-S/L					Adjustable	10.8	1.4													Preset
	ER2M003IH-S/L	Adjustable	10.8	1.8	Adjustable	15.7	0.9	7.7 x 1									1.25	75	1.33		
500kg	ER2M005IL-S/L	C			0.56	Preset	4.5													0.8	6 x 1
	ER2M005IS-S/L					Adjustable	4.5	0.4	Preset	8.5	1.4	7.7 x 1									
1	ER2M010IL-S/L	D	3	2.5	40/20	Preset	4.2	0.7	7.7 x 1												
	ER2M010IS-S/L					Adjustable	4.2	0.3				Preset	8.2	1.4	10.2 x 1						
1.5	ER2M015IS-S/L	E			1.8	Preset	5.3	0.9	10.2 x 1												
2	ER2M020IL-S/L					Adjustable	5.3	0.4							Preset	4.3	0.7	10.2 x 1			
	ER2M020IS-S/L	Adjustable	4.3	0.4	Adjustable	8.2	1.4	11.2 x 1													127
2.5	ER2M025IS-S/L	F			3.5	Preset	6.6											1.1	11.2 x 1	M4/1Am /H4	
3	ER2M030IS-S/L	E				Preset	5.2	0.9	10.2 x 2												3.75
	ER2M030IS-S/L				Adjustable	5.2	0.4	Preset											3.3	0.6	
5	ER2M050IS-S/L	F		2.8		Adjustable	3.3	0.3	11.2 x 2									1800	6.25	198	5.6

Note: The bracketed figures in Traversing Speed are low speed. The minimum radius curve may depend on flange width. For further information, contact the nearest KITO dealer. The high speed is preset to the maximum speed in KITO factory. The speeds are adjustable between High and Low.

## Dimensions (mm)

Capacity (t)	Product Code	Headroom C	D	b	d	e	e'	g	i	j	k	m	n	r	t	u
125kg	ER2M001IH-S/L	375	450													
250kg	ER2M003IS-S/L															
	ER2M003IH-S/L	435	550													
500kg	ER2M005IL-S/L															
	ER2M005IS-S/L	570	630	325	225	520	184		110	27	125	212	118	60	36	76
1	ER2M010IL-S/L															
ER2M010IS-S/L	620	830	340	226	521	186		125	29	131	215	132	68	43	70	
1.5																ER2M015IS-S/L
2	ER2M020IL-S/L	840	910	400	281	528	192		140	44	145	233	150	86	54	56
	ER2M020IS-S/L															
2.5	ER2M025IS-S/L															
3	ER2M030IS-S/L															
5	ER2M050IS-S/L															