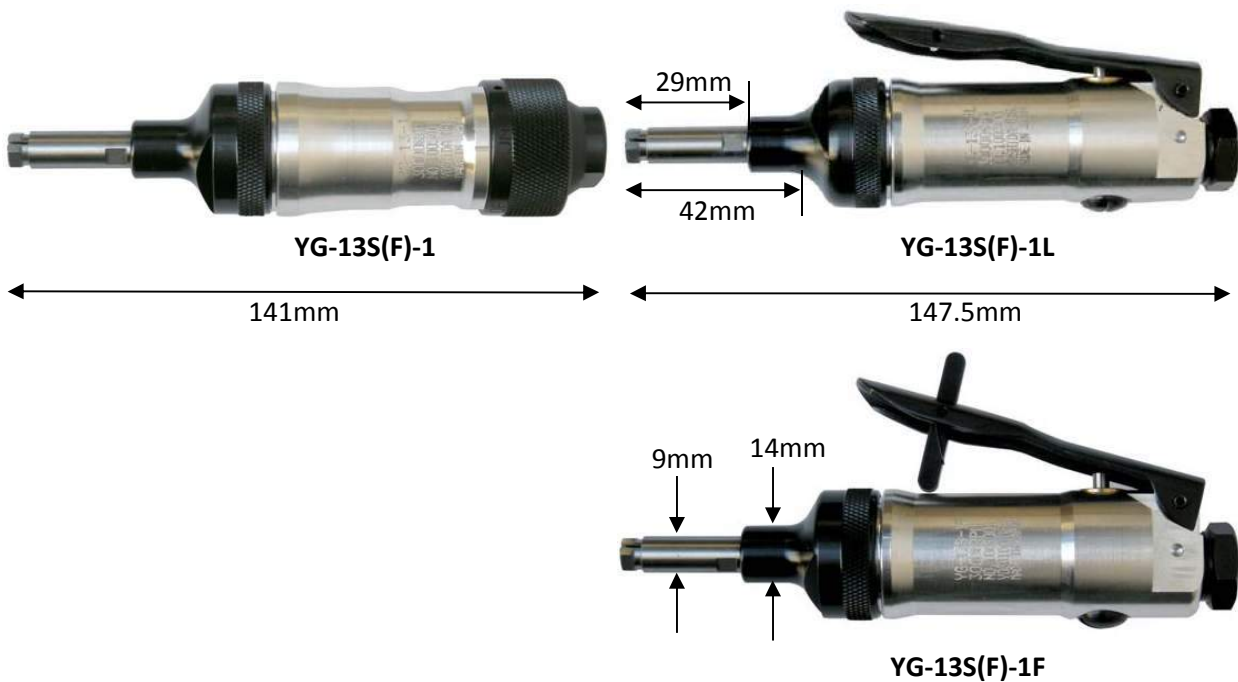


Yoshida Tools

DIE GRINDERS YG-13 Series

*Light weight, Powerful and Durable
Excellent rotation accuracy
Low noise & Low working oscillation*



Specification

Model	Throttle Type	Exhaust Direction	Rotational Frequency	Collet Size	Overall Length	Max Dia	Mass	Max Air Consumption	Air Hose Size	Air Inlet Thread
			min-1			mm				mm
YG-13S-1	Roll	Side	30,000	3	141	33	0.31	0.25	6.3	RC1/4
YG-13F-1	Roll	Front	30,000	3	141	33	0.31	0.25	6.3	RC1/4
YG-13S-1L	Lever	Side	30,000	3	147.5	33	0.34	0.25	6.3	RC1/4
YG-13F-1L	Lever	Front	30,000	3	147.5	33	0.34	0.25	6.3	RC1/4
YG-13S-1F	Safety Lever	Side	30,000	3	147.5	33	0.35	0.25	6.3	RC1/4
YG-13F-1F	Safety Lever	Front	30,000	3	147.5	33	0.35	0.25	6.3	RC1/4

Standard Accessory: NL-22PM Coupler Plug, 8Hex Wrench(2)

Available Option Collet Size: 3.175mm(1/8")

YOSHIDA MFG.CO.,LTD

3-36-3 Yamaga-cho, Yao-city, Osaka, Japan

TEL +81-72-996-5673

FAX +81-72-997-9416

E-mail: info@yoshida-mfg.co.jp



※Specifications are subjects to change without notice.

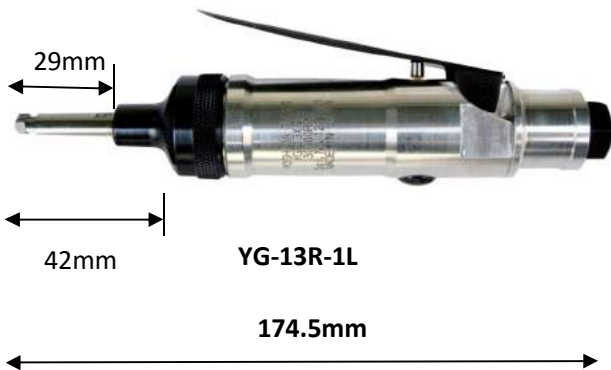
YOSHIDA MFG.CO.,LTD.

2012.12

Yoshida Tools

DIE GRINDERS YG-13R Series

*Light weight, Powerful and Durable
Excellent rotation accuracy
Low noise & Low working oscillation*



YG-13R-1L



YG-13R-1F



172.5mm

Specification

Model	Throttle Type	Exhaust Direction	Rotational Frequency min-1	Collet Size mm	Overall Length mm	Max Dia	Mass kg	Max Air Consumption Nm3/min	Air Hose Size mm	Air Inlet Thread
						mm				
YG-13R-1	Roll	Rear	30,000	3	172.5	32.5	0.45	0.25	6.3	RC1/4
YG-13R-1L	Lever	Rear	30,000	3	174.5	32.5	0.35	0.25	6.3	RC1/4
YG-13R-1F	Safety Lever	Rear	30,000	3	174.5	32.5	0.35	0.25	6.3	RC1/4

Standard Accessory: NL-22PM Coupler Plug, 8Hex Wrench(2),IH008 Exhaust Hose 1.5m,EH030 Inlet Hose0.5m

Available Option Collet Size: 3.175mm(1/8")

YOSHIDA MFG.CO.,LTD

3-36-3 Yamaga-cho, Yao-city, Osaka, Japan

TEL +81-72-996-5673

FAX +81-72-997-9416

E-mail: info@yoshida-mfg.co.jp



※Specifications are subjects to change without notice.

YOSHIDA MFG.CO.,LTD.

2016.04

Yoshida Tools

DIE GRINDERS YG-23 Series

Light weight, Powerful and Durable
Excellent rotation accuracy
Low noise & Low working oscillation



Specification

Model	Throttle Type	Exhaust Direction	Rotational Frequency	Collet Size	Overall Length	Max Dia	Mass	Max Air Consumption	Air Hose Size	Air Inlet Thread
			min-1	mm	mm	mm	kg	Nm3/min	mm	-
YG-23S-1	Roll	Side	22,000	6	152	37	0.46	0.47	9.5	RC1/4
YG-23F-1	Roll	Front	22,000	6	152	37	0.46	0.47	9.5	RC1/4
YG-23S-1L	Lever	Side	22,000	6	161.5	37	0.5	0.47	9.5	RC1/4
YG-23F-1L	Lever	Front	22,000	6	161.5	37	0.5	0.47	9.5	RC1/4
YG-23S-1F	Safety Lever	Side	22,000	6	161.5	37	0.5	0.47	9.5	RC1/4
YG-23F-1F	Safety Lever	Front	22,000	6	161.5	37	0.5	0.47	9.5	RC1/4

Standard Accessory: NL-22PM Coupler Plug, 13Hex W rench(2)

Available Option Collet Size: 3mm or 6.35mm(1/4")

YOSHIDA MFG.CO.,LTD

3-36-3 Yamaga-cho, Yao-city, Osaka, Japan 581-0812

TEL +81-72-996-5673

FAX +81-72-997-9416

E-mail info@yoshida-mfg.co.jp



※Specifications are subjects to change without notice.

YOSHIDA MFG.CO.,LTD.

2012.12

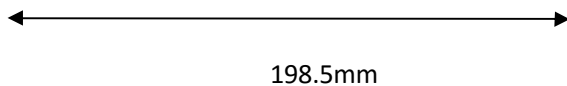
Yoshida Tools

DIE GRINDERS YG-38R Series

Light weight, Powerful and Durable
Excellent rotation accuracy
Low noise & Low working oscillation



YG-38R-1L



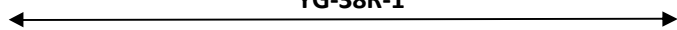
198.5mm



YG-38R-1F



YG-38R-1



201.5mm

Specification

Model	Throttle Type	Exhaust Direction	Rotational Frequency	Collet Size	Overall Length	Max Dia	Mass	Max Air Consumption	Air Hose Size	Air Inlet Thread
			min-1							
YG-38R-1	Lever	Rear	22,000	6	201.5	37	0.69	0.47	9.5	RC1/4
YG-38R-1L	Lever	Rear	22,000	6	198.5	37	0.57	0.47	9.5	RC1/4
YG-38R-1F	Safety Lever	Rear	22,000	6	198.5	37	0.57	0.47	9.5	RC1/4

Standard Accessory: NL-22PM Coupler Plug, 13Hex Wrench(2), JH008 Exhaust Hose 1.5m, EH030 Inlet Hose 0.5m

Available Option Collet Size: 3mm or 6.35mm(1/4")

YOSHIDA MFG.CO.,LTD

3-36-3 Yamaga-cho, Yao-city, Osaka, Japan 581-0812
 TEL +81-72-996-5673
 FAX +81-72-997-9416
 E-mail info@yoshida-mfg.co.jp



※Specifications are subjects to change without notice.

YOSHIDA MFG.CO.,LTD.
 2013.9

Yoshida Tools

DIE GRINDERS YGL-13 Series

*Light weight, Powerful and Durable
Excellent rotation accuracy
Low noise & Low working oscillation*



Specification

Model	Throttle Type	Exhaust Direction	Rotational Frequency min-1	Collet Size mm	Overall Length mm	Max Dia	Mass kg	Max Air Consumption Nm3/min	Air Hose Size mm	Air Inlet Thread
						mm				
YGL-13S-1	Roll	Side	30,000	3	186.5	33	0.34	0.25	6.3	RC1/4
YGL-13F-1	Roll	Front	30,000	3	186.5	33	0.34	0.25	6.3	RC1/4
YGL-13S-1L	Lever	Side	30,000	3	193.5	33	0.33	0.25	6.3	RC1/4
YGL-13F-1L	Lever	Front	30,000	3	193.5	33	0.33	0.25	6.3	RC1/4
YGL-13S-1F	Safety Lever	Side	30,000	3	193.5	33	0.35	0.25	6.3	RC1/4
YGL-13F-1F	Safety Lever	Front	30,000	3	193.5	33	0.35	0.25	6.3	RC1/4

Standard Accessory: NL-22PM Coupler Plug, 8Hex Wrench(2)

Available Option Collet Size: 3.175mm(1/8")

YOSHIDA MFG.CO.,LTD

3-36-3 Yamaga-cho, Yao-city, Osaka, Japan

TEL +81-72-996-5673

FAX +81-72-997-9416

E-mail: info@yoshida-mfg.co.jp



※Specifications are subjects to change without notice.

YOSHIDA MFG.CO.,LTD.

2012.12