

## Semi Automatic Air Nut Tool



**OP-PS10-01**



**SPECIFICATION (air pressure at 90psi, 6.2 bar, 6.3 kg/cm<sup>2</sup>)**

MODEL	Nut Size Capacity (mm)			Tool Stroke mm	Traction Power		Net Weight		Air Inlet PT
	Alu.	Steel	Stainless		lbs	kgs	kg	lb	
<b>OP-PS10-01</b>	4,5,6,8,10	4,5,6,8,10	4,5,6	6.5	2680	1219	1.63	3.58	1/4"

**HONG BING PNEUMATIC INDUSTRY CO., LTD.**

Tel:+886-4-25621763 Fax:+886-4-25627704  
<http://www.onpin.com.tw> E-mail:onpin@onpin.com.tw



**Air Rivet Nut Tool**

**氣動拉帽槍**

Once rivet nut screw is damaged, it should be replaced immediately; otherwise, the tool will not be functional.  
 拉帽螺絲如有毀損應立即更換，否則將無法進行拉帽。



**OP-PSLH16**  
 Rear exhaust  
 後排氣



**OP-PS6-G1**  
 Handle exhaust  
 下排氣



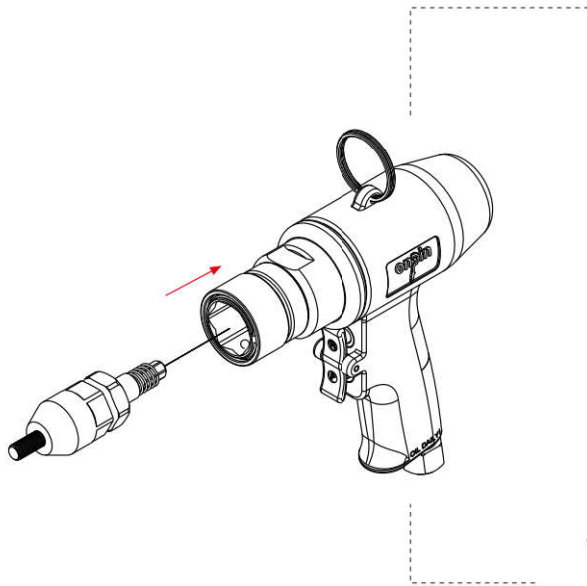
**OP-PS10-G51**  
 Side exhaust  
 側排氣

**Nut Tools with Order Code Number Reference**

Model 型號	OP-PSLH16	OP-PS6-G1	OP-PS6107	OP-PS5232	OP-PS5210	OP-PS5204	OP-PS10-G51
Size 規格	Order Code 訂貨號						
M3	OP-PSLH16-3	OP-PS6-G1-3	OP-PS6107-3	OP-PS5232-3			
M4	OP-PSLH16-4	OP-PS6-G1-4	OP-PS6107-4	OP-PS5232-4			
M5	OP-PSLH16-5	OP-PS6-G1-5	OP-PS6107-5	OP-PS5232-5	OP-PS5210-5		OP-PS10-G51-5
M6	OP-PSLH16-6	OP-PS6-G1-6	OP-PS6107-6		OP-PS5210-6		OP-PS10-G51-6
M8					OP-PS5210-8	OP-PS5204-8	OP-PS10-G51-8
M10						OP-PS5204-10	OP-PS10-G51-10
3/16"		OP-PS6-G1-3/16"	OP-PS6107-3/16"	OP-PS5232-3/16"			
1/4"		OP-PS6-G1-1/4"	OP-PS6107-1/4"		OP-PS5210-1/4"		OP-PS10-G51-1/4"
5/16"					OP-PS5210-5/16"	OP-PS5204-5/16"	OP-PS10-G51-5/16"
3/8"							OP-PS10-G51-3/8"

## Air Rivet Nut Tool

### 氣動拉帽槍



**OP-PS6107**  
Handle exhaust  
The type of quick-changing  
下排氣  
快速更換型式



**OP-PS5232**  
**OP-PS5210**  
**OP-PS5204**  
Handle exhaust  
The type of quick-changing  
下排氣  
快速更換形式



**OP-PS12-O1**  
Push to start  
Air hydraulic rivet nut tool  
Pull force 2180kg/4800lbs  
Stroke 7mm  
觸壓啟動型  
氣動油壓式拉帽槍  
拉力 2180kg/4800lbs  
行程 7mm



**OP-PS12-O2**  
Push to start  
Air hydraulic rivet nut tool  
Pull force 2075kg/4565lbs  
Stroke 6mm  
觸壓啟動型  
氣動油壓式拉帽槍  
拉力 2075kg/4565lbs  
行程 6mm

### SPECIFICATION(air pressure at 90psi \ 6.2bar \ 6.3kg/cm<sup>2</sup>)

MODEL 型號	Structure 構造	Rivet Nut		Free Speed 無負荷轉速 rpm	Air Consumption 耗氣量 l/min cfm		Overall Length 全長 mm inch		Air Inlet 入氣接頭 P.T	Net Weight 重量 kg lb	
		mm	mm		mm	inch	kg	lb			
OP-PSLH16	Gear	3, 4, 5, 6	3, 4, 5	1600	254	9	270	10.6	1/4	1.19	2.62
OP-PS6-G1	Gear	3,4,5,6,3/16",1/4"	3,4,5, 3/16"	700	198	7	200	7.87	1/4	1.2	2.65
OP-PS6107	Gear	3,4,5,6,3/16",1/4"	3,4,5, 3/16"	700	198	7	200	7.87	1/4	1.26	2.77
OP-PS5232	Gear	3, 4, 5, 3/16"	3, 4	3200	240	8.5	205	8.07	1/4	1.48	3.26
OP-PS5210	Gear	5, 6, 8, 1/4", 5/16"	5, 6, 1/4"	1000	240	8.5	205	8.07	1/4	1.5	3.3
OP-PS5204	Gear	8, 10, 5/16"	8, 10, 5/16"	450	240	8.5	205	8.07	1/4	1.5	3.3
OP-PS10-G51	Gear	5, 6, 8, 10, 1/4",5/16", 3/8"	5, 6, 8, 1/4", 5/16"	450	226	8	210	8.27	1/4	1.8	3.97
OP-PS12-O1	Hydraulic type	3,4,5,6,8,10,12	3,4,5,6,8,10,12	1200			278	10.94	1/4	2.5	5.51
OP-PS12-O2	Hydraulic type	3,4,5,6,8,10,12	3,4,5,6,8,10,12	2700			280	11.02	1/4	2.38	5.24