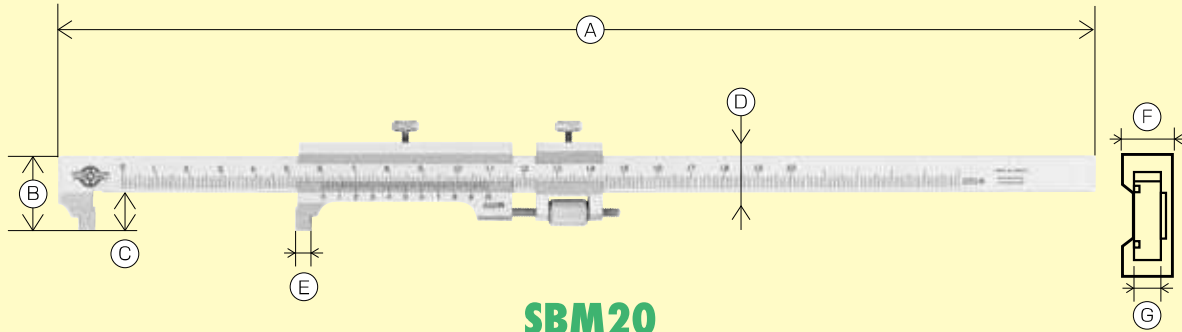


SBM

Adequate for measurement of step machining part in hole

With "Short leg jaw", this product can be easily used for measurement of step machining part in a hole.



SBM20

- Since the jaw is short, the product is adequate for measurement of step machining in a deep hole.



SBM : Specifications

(Unit : mm)

Model	Measuring length	Minimum reading	Instrumental error	Weight	A	B	C	D	E	F	G
SBM20	200	0.02 (Division of 49 mm into 50 equal parts)	± 0.03	180g	310	22.5	11.5	11	5	8	4
SBM30	300		± 0.04	210g	410	22.5	11.5	11	5	8	4

SNAP GAUGE

For inspection of precision of vernier caliper

With "Various sizes", this snap gauge allows quick inspection of inside and outside of vernier caliper.



SNAP GAGE 15



SNAP GAGE STAND

SNAP GAUGE : Specifications (Unit : mm)

Model	Measuring length	Weight
SNAP GAGE 5	50	0.4kg
SNAP GAGE 10	100	0.5kg
SNAP GAGE 15	150	0.6kg
SNAP GAGE 20	200	1.0kg
SNAP GAGE 30	300	1.6kg

- By mounting the product to the special-purpose stand, the gage becomes stable, allowing more accurate inspection of vernier caliper.

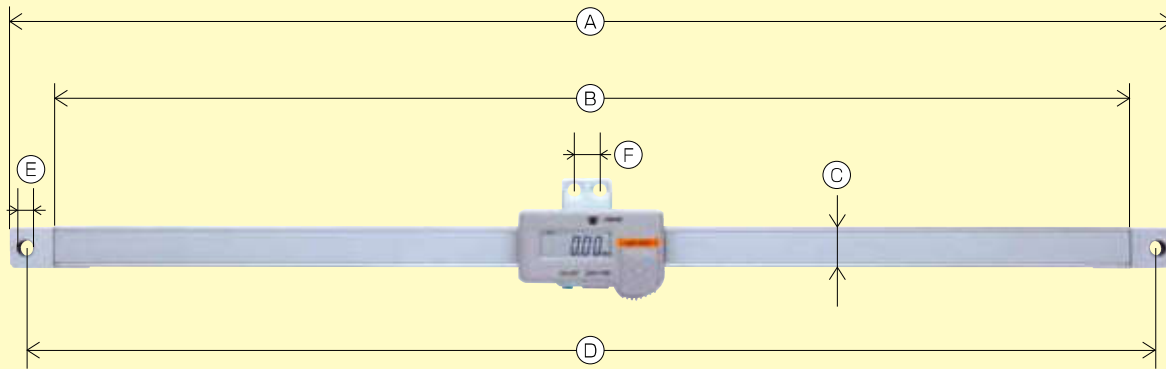
SNAP GAUGE STAND (Options)

Model	Weight
SNAP GAGE STAND (common to all sizes)	3.2kg

ES-B

Adequate for positioning of machine tool, measurement equipment, and so on

Convenience digital scale on which the indication of "digital direct reading type" scale can be read directly.



ES30B

- ABS with absolute origin is built in and therefore zero setting is not required each time the power is turned on.
- With a measurement data output function, a statistical process control system or a measurement system can be configured.

ES-B : Specifications

(Unit : mm)

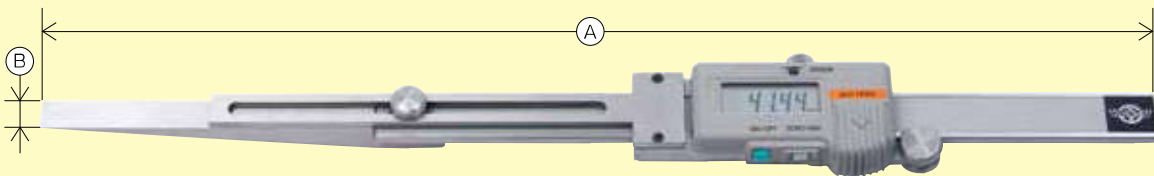
Model	Measuring length	Resolution	Allowable measuring range	Instrumental error	Power supply	Weight	A	B	C	D	E	F
ES10B	100	0.01	120	±0.03	SR44 1 piece	360g	256	220	16	244	φ 6	10 φ 5.2
ES20B	200	0.01	220			480g	356	320	16	344	φ 6	10 φ 5.2
ES30B	300	0.01	320			590g	456	420	16	444	φ 6	10 φ 5.2

TES

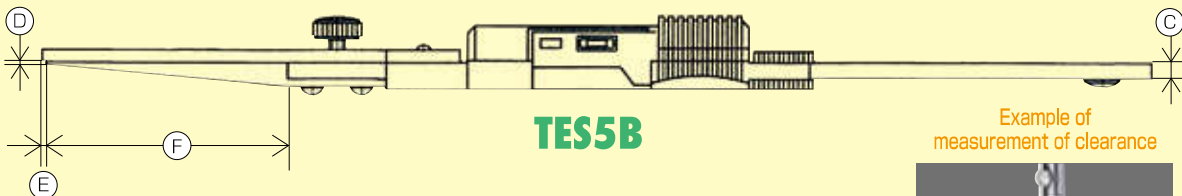
Digital thickness scale



Easy measurement of clearance in a narrow location!

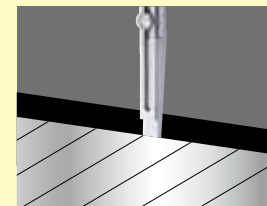


TES10B



TES5B

Example of measurement of clearance



- Measurement of clearance on door and measurement of clearance on turbine wheel can be conducted for a short time.
- A measurement data output function is provided.
- Measurement data can be transferred to a personal computer through radio communication. (Manufactured on order)
- A hold unit (optional) and a connection cable with output switch (optional) can be used.

TES : Specifications

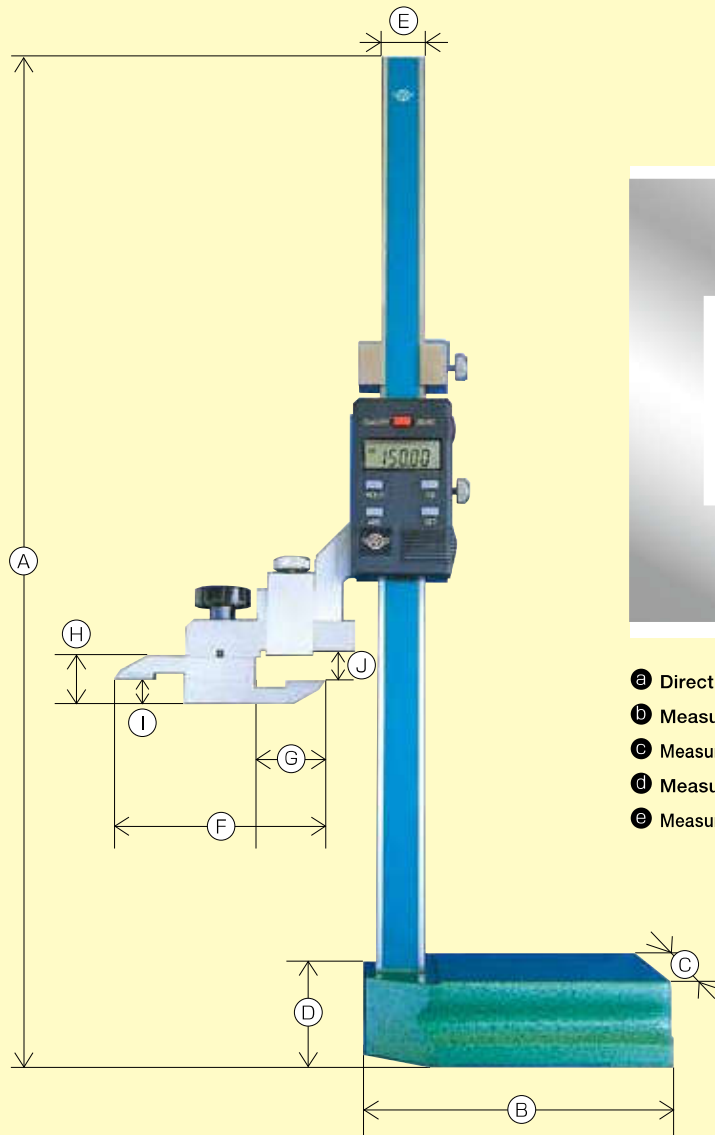
(Unit : mm)

Model	Measuring range	Resolution	Instrumental error	Power supply	Weight	A	B	C	D	E	F
TES5B	0.2~4.8	0.01	±0.03	SR44 1piece	158g	225	10	3.3	0.1	1	49
TES10B	0.5~9.5				218g	330	10	3.3	0.3	3	102

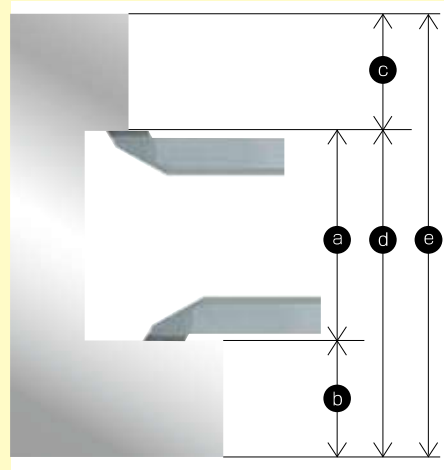
EHK30J

Height gauge with rotating scriber

Adequate for various types of height measurement!



Examples of various types of measurement

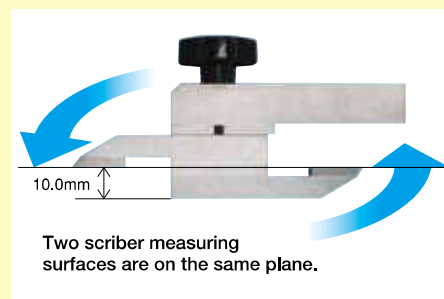


- a Direct measurement of groove width
- b Measurement of distance from plane to step
- c Measurement of distance from ceiling to upper surface
- d Measurement of distance from plane to ceiling
- e Measurement of distance from plane to upper surface

EHK30J

- ABS/INC measurement
- A scriber for SHT-3-30J is provided as a standard component like the rotating scriber.
- Two scriber measuring surfaces of "Kurukuru" are on the same plane.
- Since the product is an absolute (ABS) type, zero setting is not required each time the power is turned on.
- Zero setting can be conducted at any positions, and relative measurement is available.
- Digital display provides easy reading.

Rotating scriber "Kurukuru"



■ EHK : Specifications

(Unit : mm)

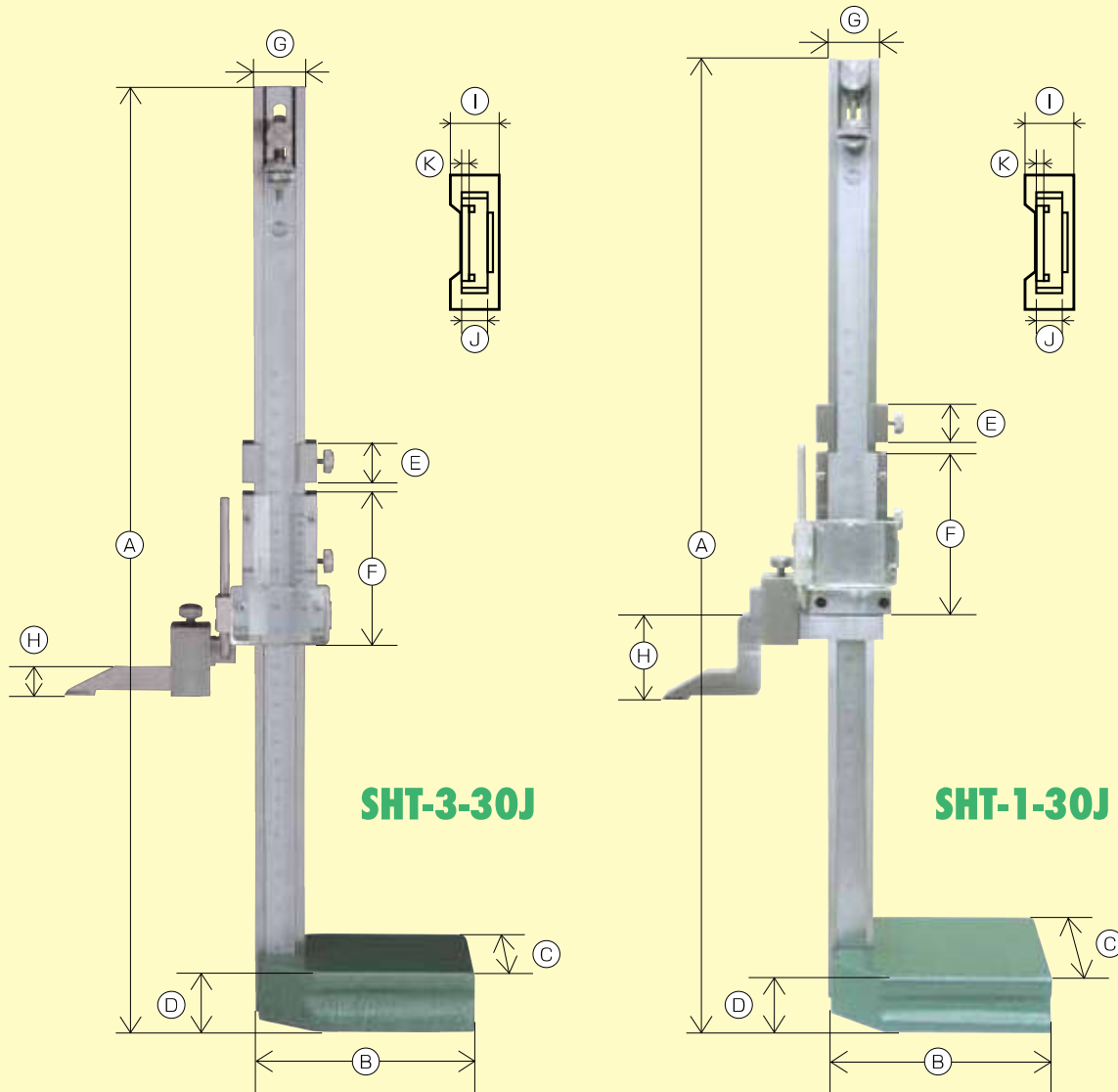
Model	Measuring range(*)	Resolution	Instrumental error	Power supply	Weight	A	B	C	D	E	F	G	H	I	J
EHK30J	0~300	0.01	±0.03	SR44 1piece	2.2kg	450.5	120.0	68.0	32.0	19.9	94.0	32.1	20.0	10.0	13.1

*When the rotating scriber "Kurukuru" is used, the measuring range is 10 to 300 mm.

SHT-3 / SHT-1

Adequate for measurement of height for vertically long objects

With "Vertical movement of main scale", this height gage can be used for instantaneous measurement.



Measurement of height



Measurement of height



- A magnifying lens for easy reading of scale is provided.
- A carbide tip is provided on the top end of scriber, and the measuring surface is precisely finished.

■ SHT-3 : Specifications

(Unit : mm)

Model	Measuring length	Minimum reading	Instrumental error	Weight	A	B	C	D	E	F	G	H	I	J	K
SHT-3-30J	300	0.02 (Division of 49 mm into 50 equal parts)	±0.04	2.3kg	480	120	71	32	20	70	26	16	14	8	3.1
SHT-3-60J	600		±0.05	5.4kg	836	162	110	43	20	90	28	16	19	12	3.1

■ SHT-1 : Specifications

(Unit : mm)

Model	Measuring length	Minimum reading	Instrumental error	Weight	A	B	C	D	E	F	G	H	I	J	K
SHT-1-30J	300	0.02 (Division of 49 mm into 50 equal parts)	±0.04	2.4kg	500	123	71	32	20	84	26	47	14	8	3.1
SHT-1-60J	600		±0.05	5.5kg	851	162	110	43	20	102	28	58	19	12	3.1
SHT-1-150	1,500		±0.12	39.0kg	1,920	272	200	75	35	125	50	75	29.5	20	5
SHT-1-200	2,000		±0.16	43.0kg	2,420	322	250	75	35	125	50	75	29.5	20	5