

LTDK CLUTCH RELEASE TORQUE SCREW DRIVERS

Clutch release prevents over-tightening, reduces fatigue.

FEATURES

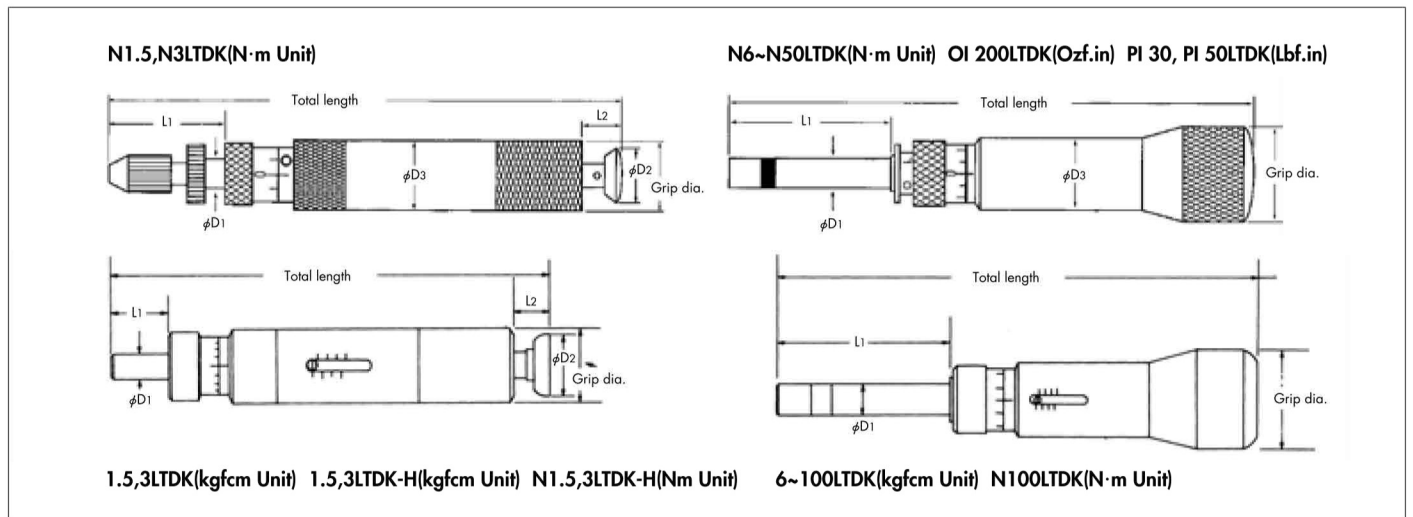
- Comfortable grip for extended use.
- Light weight and short overall length facilitates jobs.
Sensitive clutch release helps the operator feel when the torque setting is reached.
- Set the required torque value and tighten, all operators tighten consistently.
- Two Phillips bit are included.
- Various hex and box drive bits are available.
- Use for both clockwise and counter-clockwise tightening.
- Accuracy : $\pm 3\%$ of indicated value over the full range, clockwise.
- "H" models accept standard bits instead of CB type bits.

USING AN LTDK DRIVER

- (1) Select and mount a bit to match the fastener.
- (2) Rotate the adjusting ring and set the desired torque.
- (3) Tighten the fastener clock-wise until the clutch releases and there is no more resistance.



N6~50LTDK



Old Model (cN·m/N·m)	New Model (cN·m/N·m)	Range cN·m/N·m	Increment cN·m/N·m	Model (ozf·in/lbf·in)	Range ozf·in/lbf·in	Increment ozf·in/lbf·in	Grip dia. φmm	Total length (without bit) mm	Dimensions (mm)				Weight g	Included Accessory			
									Body					Bits		Extension Bar	
		L1	L2	φD1	φD2	φD3			Phillips	Bit type							
N1.5LTDK	CN15LTDK	1 ~ 15	0.1				16	107	22	10.5	5.5	14.4	16	57	No.0 No.1	KANON bits CB type	
N3LTDK	CN30LTDK	2 ~ 30	0.2				25	110	26				20	99	No.0 No.1		
N6LTDK	CN60LTDK	5 ~ 60	0.5				30						192		No.0 No.1	Standard bits SB type	Included
N12LTDK	CN120LTDK	20 ~ 120	1	OI 200LTDK	40 ~ 200	1	34	157	51			10	25	214	No.1 No.2		
N20LTDK	CN200LTDK	40 ~ 200	1				40	200	63				34	436	No.1 No.2		
N30LTDK	CN300LTDK	40 ~ 300	1	PI 30LTDK	4 ~ 30	0.1	45	235	100			11	762		No.2, No.3		
N50LTDK	CN500LTDK	100 ~ 500	2.5	PI 50LTDK	10 ~ 50	0.25	16	111	26	9	10	14.4	35	60	No.0 No.1		
N100LTDK	N10LTDK	4 ~ 10	0.05														
N1.5LTDK-H	CN15LTDK-H	1 ~ 15	0.1														
N3LTDK-H	CN30LTDK-H	2 ~ 30	0.2														

* is the new model that is applied from 1st January, 2016.

Model (kgf·cm)	Range	Increment	Grip dia.	Total length (without bit)	Dimensions (mm)					Weight	Included Accessory				
					Body						Bits		Extension Bar		
					L1	L2	φD1	φD2	φD3		g	Phillips		Bit type	
1.5LTDK	0.1~1.5	kgf·cm	0.01	kgf·cm	16	99	14	9	5.5	14.4	20	95	No.0	Standard bits SB type	Included
3LTDK	0.2~3	//	0.02	//									25		
6LTDK	0.5~6	//	0.05	//	30	157	57	11	34	436	762	No.2, No.3			
12LTDK	2~12	//	0.1	//								34	200		
20LTDK	4~20	//	0.1	//	40	235	100	35	60	436	762				
30LTDK	4~30	//	0.1	//								45	235		
50LTDK	10~50	//	0.25	//	16	111	26	9	10	14.4	35				
100LTDK	40~100	//	0.5	//								16	111		
1.5LTDK-H	0.1~1.5	//	0.01	//	16	111	26	9	10	14.4	35				
3LTDK-H	0.2~3	//	0.02	//								16	111		

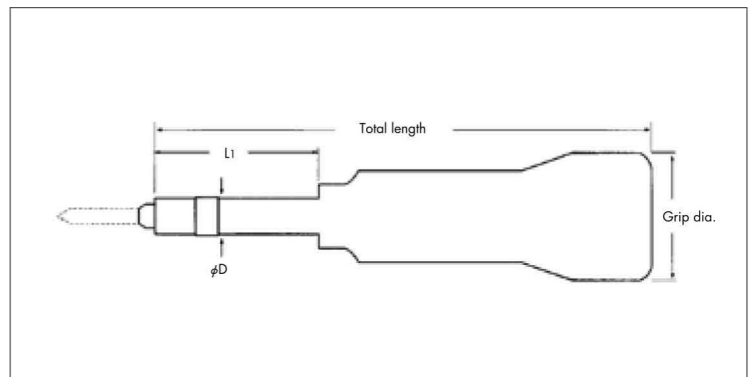
STDK PRE-SET TORQUE DRIVERS

Clutch release prevents over tightening.



FEATURES

- A single function driver, used for a single torque setting.
 - Most suited for tightening multiple same-size fasteners at the same torque in a production line.
 - Setting confirmation unnecessary.
 - Light weight and short overall length facilitates jobs. Sensitive clutch release helps the operator feel when the torque setting is reached.
 - All operators tighten consistently.
 - Two Phillips bit are included.
 - Various hex and box drive bits are available.
 - Accuracy : ±3% of set value, clockwise.
- * Please specify required set torque when you order.



Model (kgf·cm)	Range	Old Model (cN·m/N·m)	New Model (cN·m/N·m)	Range	Model (ozf·in/lbf·in)	Range	Grip dia.	Total length (without bit)	Dimensions (mm)		Weight	Included Accessory		
									Body			Bits		Extension Bar
									L1	φD		g	Phillips	
1.5STDK	0.1~1.5	N1.5STDK	CN15STDK	1~15 cN·m	OI 22STDK	2~22 ozf·in	16	92	22	8	45	No.0	Standard bits SB type	Included
3STDK	0.2~3	N3STDK	CN30STDK	2~30 //	OI 44STDK	4~44 //						25		
6STDK	0.5~6	N6STDK	CN60STDK	5~60 //	OI 80STDK	20~80 //	30	116	54	170	200			
12STDK	2~12	N12STDK	CN120STDK	20~120 //	OI 200STDK	40~200 //						35		
20STDK	4~20	N20STDK	CN200STDK	40~200 //	PI 20STDK	4~20 lbf·in	45	248	246	11	790			
30STDK	4~30	N30STDK	CN300STDK	40~300 //	PI 30STDK	4~30 //						45		
50STDK	10~50	N50STDK	CN500STDK	100~500 //	PI 50STDK	10~50 //	45	248	246	11	790			
100STDK	40~100	N100STDK	N10STDK	4~10 N·m	PI 100STDK	40~100 //						45		

* is the new model that is applied from 1st January, 2016.

DPSK DIAL GAUGE TORQUE DRIVERS

Suited for light torque, general tightening work, inspections. Easy to handle, easy to read scale.



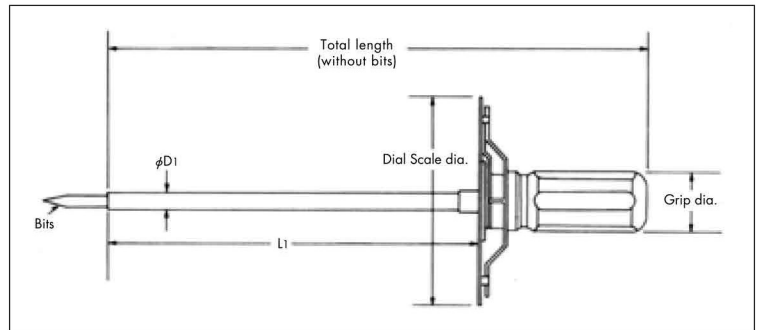
FEATURES

DPSK (standard)

- A light torque driver well suited for general tightening, inspections and break tests.
- Easy handling with a direct reading dial gauge.
- Use for both clockwise and counterclockwise tightening.
- Peak torque indicator works in both directions, too.
- Large, easily read dial gauge.

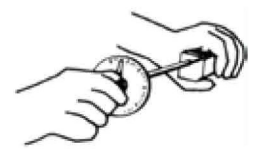
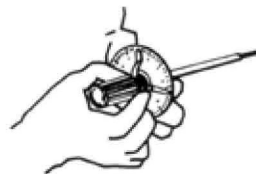
DPSK II (transparent scale)

- The transparent scale makes engaging the fastener easier.
- For both models, accuracy is $\pm 3\%$ of the indicated value over the full range



USING A DPSK DRIVER

- (1) Mount a bit matching the fastener being
- (2) Loosen the peak indicator ring.
- (3) Set the peak indicator to 0.
- (4) Tighten the fastener while observing the scale.



Model (kgf·cm)	Range (CW/CCW)	Increment	Old Model (cN·m/N·m)	New Model (cN·m/N·m)	Range (CW/CCW)	Increment	Dial dia.	Grip dia.	Total length (without bit)	Dimensions (mm)			Weight	Included Accessory				
										Driver shaft(mm)		kg		Bits				
	kgf·cm				cN·m/N·m		φ mm	φ mm	mm	L ₁	φ D			Phillips	Bit type			
1DPSK	0.2~1	0.025	N 1DPSK	CN 10DPSK	2~10 cN·m	0.25 cN·m	78	22	217	152	6	0.075	No.0	KANON bits OB type				
2DPSK	0.5~2	0.05	N 2DPSK	CN 20DPSK	5~20 //	0.5 //				195					130			
5DPSK	1~5	0.2	N 5DPSK	CN 50DPSK	10~50 //	2 //				208					143			
10DPSK	2~10	0.2	N 10DPSK	CN 100DPSK	20~100 //	2 //				222			130	12	0.33	No.1	Standard bits SB type	
20DPSK	5~20	0.5	N 20DPSK	CN 200DPSK	0.5~2 N·m	0.05 N·m				242					0.36			
50DPSK	10~50	2	N 50DPSK	CN 500DPSK	1~5 //	0.2 //				300			188	14	0.47			
10DPSK(II)	2~10	0.2	N 10DPSK(II)	CN 100DPSK-L	20~100 cN·m	2 cN·m	78	33	222	130	12	0.29	No.2					
20DPSK(II)	5~20	0.5	N 20DPSK(II)	CN 200DPSK-L	0.5~2 N·m	0.05 N·m									242			0.32
50DPSK(II)	10~50	2	N 50DPSK(II)	CN 500DPSK-L	1~5 //	0.2 //									300			188

* is the new model that is applied from 1st January, 2016.