

# TOK-G DIAL INDICATOR TORQUE WRENCHES

Easy to read dial indicator. Well suited for inspection and general maintenance service.



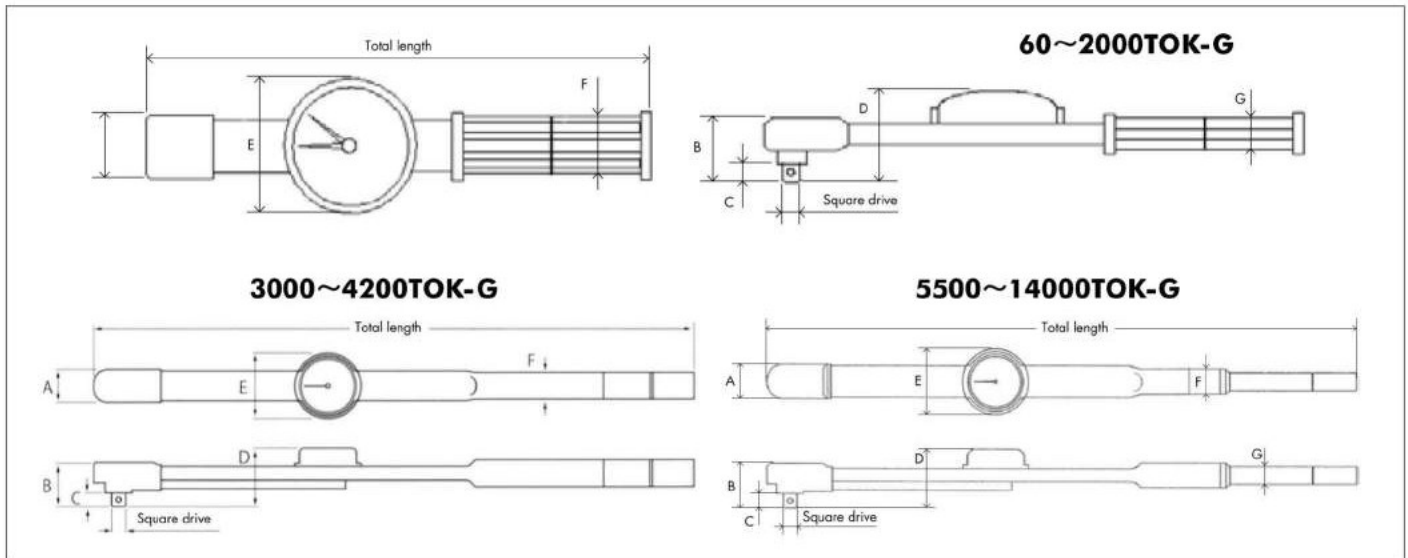
TOK-G (with peak indicator)

## FEATURES

- Oval design with comfort rubber grip reduces strain.
- Easily readable for inspections.
- Useful for general tightening work.
- Accuracy :  $\pm 3\%$  of indicated value over the full range

## USING A TOK WRENCH

- (1) Turn the dial cap and set the indicator to 0.
  - (2) Mount a socket on the square drive.
  - (3) Tighten until the indicator points to the desired torque.
- \* When using a peak indicator wrench, set it to 0 before tightening.



\* 14000TOK-G and N1400TOK-G do not have the rubber head.

Model (kgf·cm/kgf·m)	Range (CW/CCW)	Increment	Model (N·m)	Range (CW/CCW)	Increment	Square drive	Total length	Dimensions (mm)								Weight kg
								Head				Body				
								A	B	C	D	E	F	G		
60TOK-G	6~60 kgf·cm	1 kgf·cm	N 6TOK-G	0.6~6	0.1	6.35 (1/4")	260	35	38.5	7.5	58	90	37	21.5	0.5	
120TOK-G	10~120	2	N 12TOK-G	1~12	0.2											
300TOK-G	50~300	5	N 30TOK-G	5~30	0.5	9.53 (3/8")	323	35	43	11	60	90	37	21.5	0.61	
500TOK-G	50~500	5	N 50TOK-G	5~50	0.5											
700TOK-G	100~700	10	N 70TOK-G	10~70	1	12.7 (1/2")	463	39	49	14	65	90	41	22.5	0.87	
1400TOK-G	200~1,400	20	N 140TOK-G	20~140	2											
2000TOK-G	200~2,000	20	N 200TOK-G	20~200	2	19.05 (3/4")	682	41	55	20	77	90	φ30	1.6		
3000TOK-G	3~30 kgf·m	0.5 kgf·m	N 300TOK-G	30~300	5											
4200TOK-G	4~42	1	N 420TOK-G	40~420	10	1,110	955	48	60	80	85	90	φ34	2.5		
5500TOK-G	5~55	1	N 550TOK-G	50~550	10											
7000TOK-G	7~70	1	N 700TOK-G	70~700	10	1,280	1,384	54	64	93	94	90	φ38	φ30		
8500TOK-G	10~85	1	N 850TOK-G	100~850	10											
10000TOK-G	10~100	2	N 1000TOK-G	100~1,000	20	25.4 (1")	1,484	58	72	27	94	90	φ43	φ32		
14000TOK-G	20~140	2	N 1400TOK-G	200~1,400	20											
							1,696	66	74				φ45	φ34	7.1	
													φ51	φ40	7.3	
															9	

# SGK TORQUE GAUGES

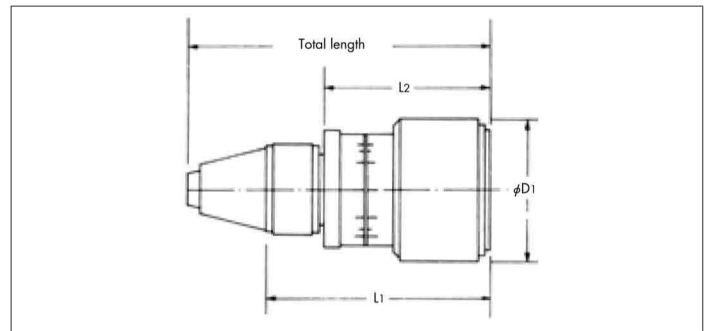
Capable of accurately measuring very low torque values.



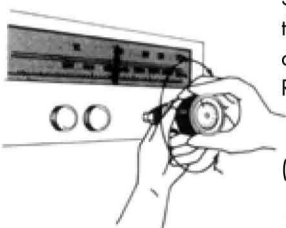
\* Peak indicator is optional

## FEATURES

- Due to their miniature design and light weight, these gauges are convenient and easy to carry.
- A three part chuck with knurled surface enables firmly gripping even odd shapes.
- The inset scale face helps avoid incidental damage.
- The gauges measure clockwise and counterclockwise.
- With scales on the sides and the face, torque readings can be obtained either way.
- Accuracy :  $\pm 3\%$  of the indicated value over the full range



## USING AN SGK GAUGE



Starting torque can be measured with the chuck gripping a knob or shaft of an electronic device.

Rotate clockwise or counterclockwise.

(Rotate CW or CCW)



- If you would like SGK with a peak indicator, please specify "SGK-G" on your purchase order.

ex). N150(I)SGK-G

### Three part chuck

Model (gf·cm/kgf·cm)	Range (CW/CCW)	Increment	Old Model (mN·m/cN·m)	New Model (mN·m/cN·m)	Range (CW/CCW)	Increment	Chucking dia. φ mm	Total length mm	Dimensions (mm)			Weight kg
									Grip dia. φ D1	Total length (without chuck) L1	L2	
90(I)SGK	10 ~ 90 gf·cm	2 gf·cm	N90(I)SGK	MN9SGK	1 ~ 9 mN·m	0.2 mN·m	1 ~ 6.5	106	43	81	57.5	0.29
150(I)SGK	20 ~ 150 "	2 "	N150(I)SGK	MN15SGK	2 ~ 15 "	0.2 "						
300(I)SGK	40 ~ 300 "	5 "	N300(I)SGK	MN30SGK	4 ~ 30 "	0.5 "						
600(I)SGK	50 ~ 600 "	10 "	N600(I)SGK	MN60SGK	5 ~ 60 "	1 "						
1200(I)SGK	100 ~ 1,200 "	20 "	N1200(I)SGK	MN120SGK	10 ~ 120 "	2 "						
2400(I)SGK	200 ~ 2,400 "	50 "	N2400(I)SGK	MN240SGK	20 ~ 240 "	5 "						
1.5(II)SGK	0.1 ~ 1.5 kgf·cm	0.02 kgf·cm	N1.5(II)SGK	CN15SGK	1 ~ 15 cN·m	0.2 cN·m	1 ~ 8.5	134	63	100	73	0.6
2.4(II)SGK	0.2 ~ 2.4 "	0.02 "	N2.4(II)SGK	CN24SGK	2 ~ 24 "	0.2 "						
3.6(II)SGK	0.4 ~ 3.6 "	0.05 "	N3.6(II)SGK	CN36SGK	4 ~ 36 "	0.5 "						
6(II)SGK	0.5 ~ 6 "	0.1 "	N6(II)SGK	CN60SGK	5 ~ 60 "	1 "						
9(II)SGK	1 ~ 9 "	0.2 "	N9(II)SGK	CN90SGK	10 ~ 90 "	2 "						
15(II)SGK	1 ~ 15 "	0.2 "	N15(II)SGK	CN150SGK	10 ~ 150 "	2 "						

\*   is the new model that is applied from 1st January, 2016.