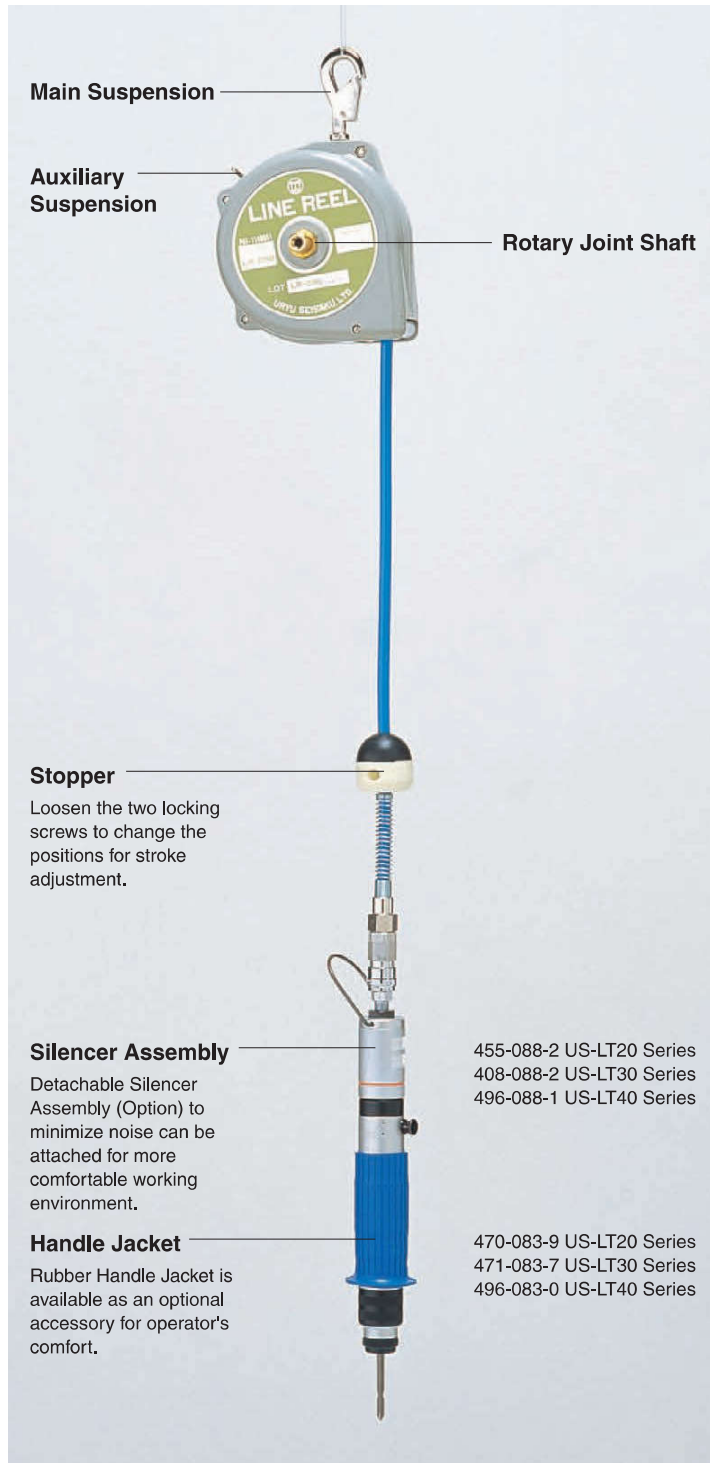


# AIR HOSE BALANCER

The "Line Reel" air hose balancer, without any hampering chain or rope to balance the tool, contributes to keep the work bench and work area uncluttered for safer operation, higher productivity, less operator's fatigue and longer tool life.



**Main Suspension**

**Auxiliary Suspension**

**Rotary Joint Shaft**

**Stopper**

Loosen the two locking screws to change the positions for stroke adjustment.

**Silencer Assembly**

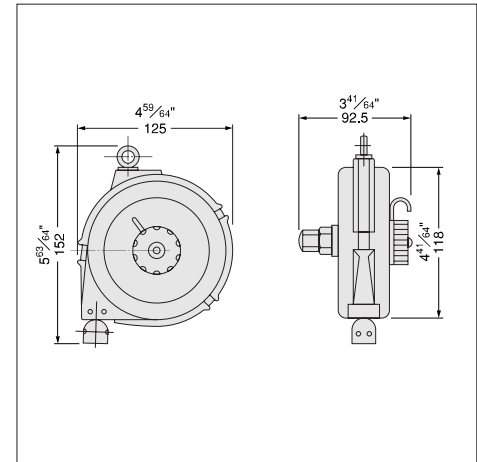
Detachable Silencer Assembly (Option) to minimize noise can be attached for more comfortable working environment.

**Handle Jacket**

Rubber Handle Jacket is available as an optional accessory for operator's comfort.

455-088-2 US-LT20 Series  
408-088-2 US-LT30 Series  
496-088-1 US-LT40 Series

470-083-9 US-LT20 Series  
471-083-7 US-LT30 Series  
496-083-0 US-LT40 Series



**Locking Spring**

Push to release the Adjustment Dial for anti-clockwise turn.



**Adjustment Dial Turn**

clockwise for heavier load and counter-clockwise for lighter load.

## SPECIFICATIONS

Model	Max Suspending Capacity		Air Hose Size I.D. x O.D. x Length		Weight (about)		Max Stroke		Max Air Pressure	
	kg	lb	mm	in	kg	lb	mm	in	Mpa	psi
LR-09(B-90)	1.4	3.08	5 x 8.5 x 900	13/64 x 21/64 x 35 7/16	0.85	1.87	700	27 9/16	1	142
LR-09(B-200)	1.4	3.08	5 x 8.5 x 2000	13/64 x 21/64 x 78 47/64	0.9	1.98	700	27 9/16	1	142

SCREWDRIVERS